

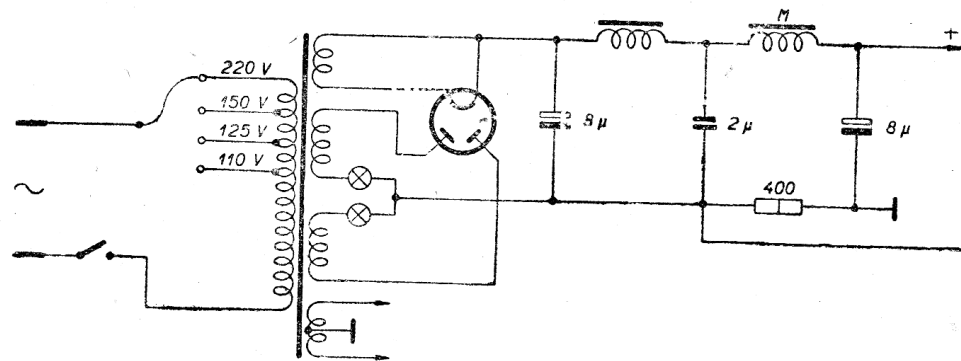
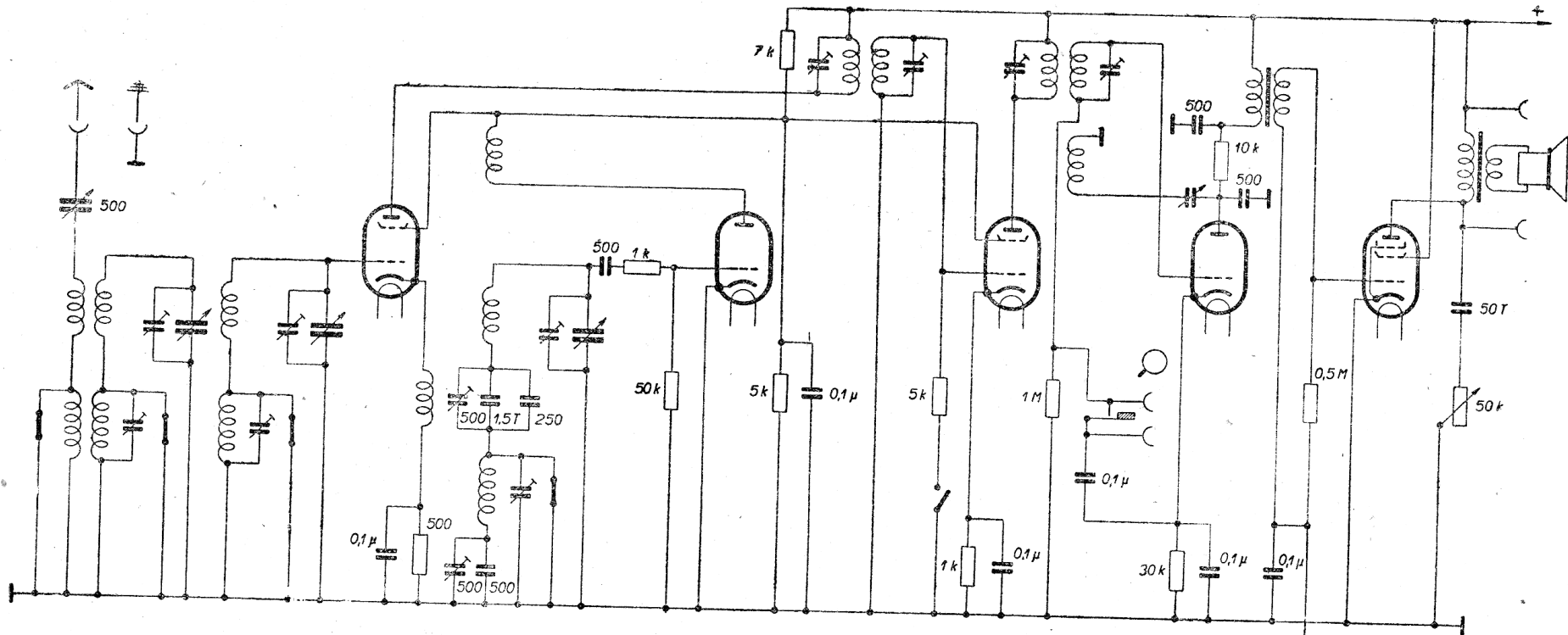
AS 4120

AG 495

AS 4120

AG 495 D

APP 4120



PV 495

200 - 600 m
700 - 2000 m

TUNGSRAM 7065

1932/33 MF = 120 kHz