

# PHILIPS

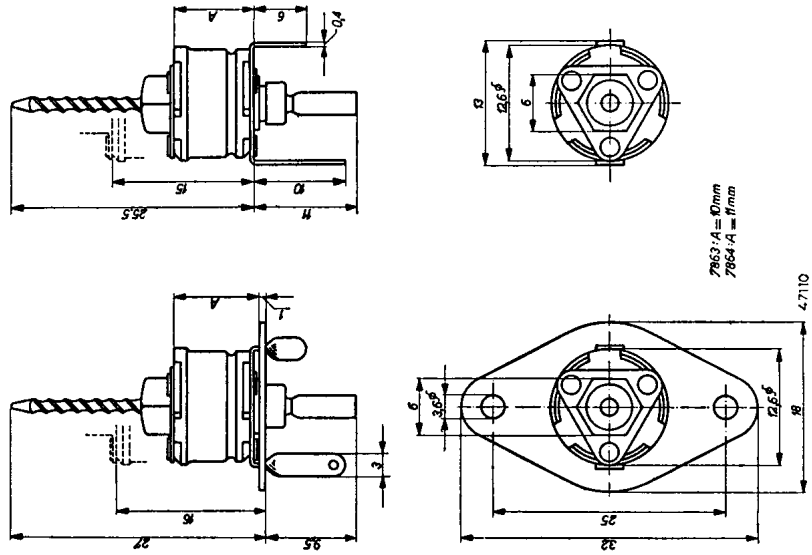
*Concentric Air Dielectric  
Trimming Capacitors*



Philips Concentric Air Dielectric Trimming Capacitors, designed for use in high Q circuits, are made of extruded aluminium with the rotor moving on the ceramic pillar. Their lightness and small size make them suitable for use within the coil can, for suspension in the wiring or for fixing on the chassis in conjunction with the mounting plate as illustrated.

	<u>7863</u>	<u>7864</u>
● MINIMUM CAPACITY	< 3 pF	< 3 pF
● MAXIMUM CAPACITY	20 pF	30 pF
● PARALLEL DAMPING	3 MOhm at maximum capacity and 1.5 Mc/s.	3 MOhm at maximum capacity and 1.5 Mc/s.
● TEMPERATURE COEFFICIENT	+ 50 parts per million per °C.	+ 50 parts per million per °C.
● CAPACITY LAW	Linear for both types.	Linear for both types.
● ROTATION ANGLE	1080° for both types.	1080° for both types.
● INSULATION RESISTANCE	> 30.000 MOhm.	> 30.000 MOhm.
● WORKING VOLTAGE	75 V D.C. for both types.	75 V D.C. for both types.
● TEST VOLTAGE	300 V D.C. for 1 second at 20° C.	300 V D.C. for 1 second at 20° C.
● MAXIMUM WORKING TEMPERATURE	85° C for both types.	85° C for both types.
● TROPICAL USE	Approved for use in tropical and arctic regions.	Approved for use in tropical and arctic regions.
● VIBRATION	Not appreciably affected by vibration but we recommend sealing with Philitime wax.	Not appreciably affected by vibration but we recommend sealing with Philitime wax.
● ADJUSTMENT	Should be adjusted with the Philips trimmer tool 7838.	Should be adjusted with the Philips trimmer tool 7838.

When ordering the trimmer without mounting plate /01 has to be added after the type number. viz. 7863/01 and 7864/01.



We shall be pleased to supply further information upon request.

